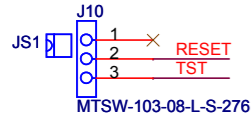
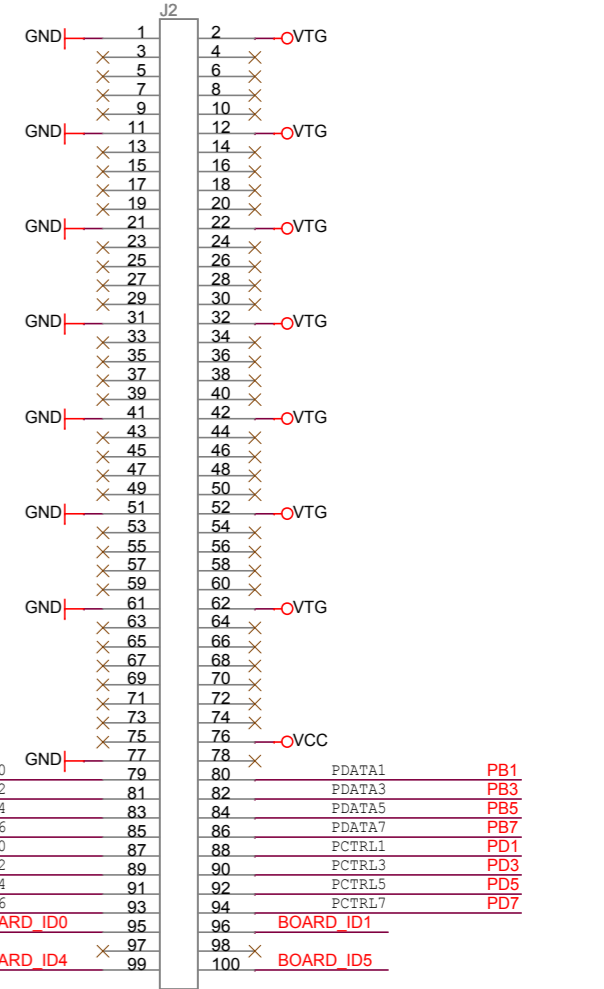
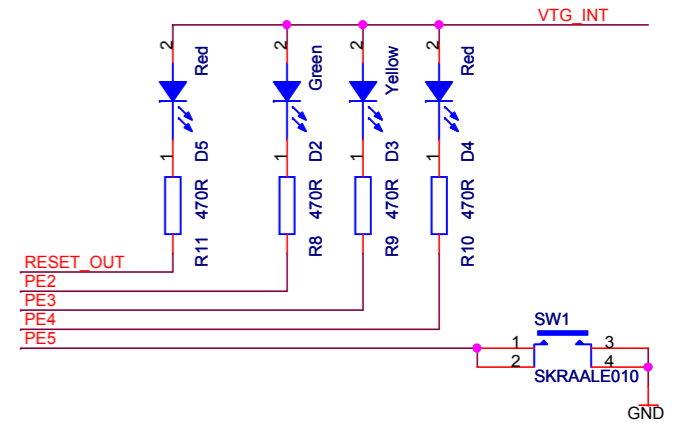
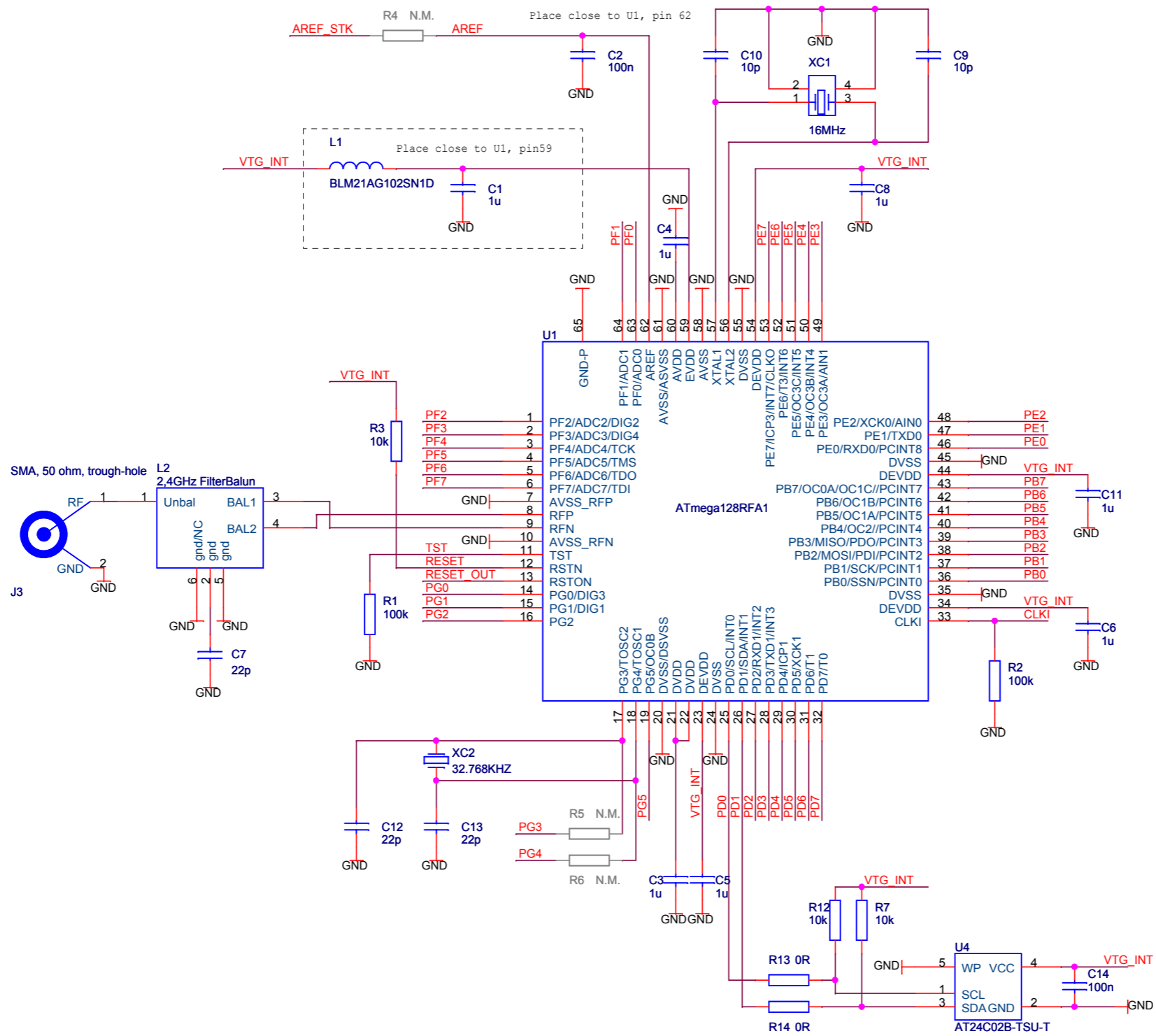
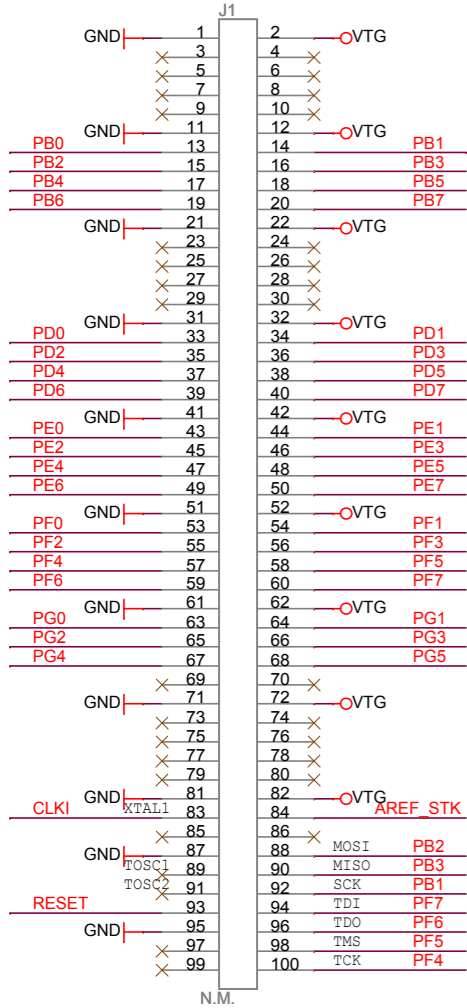
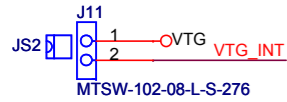


ATmega128RFA1 MCU card

Move jumper to pos 2&3 when doing par. programming.
Leave jumper in pos 1&2 otherwise

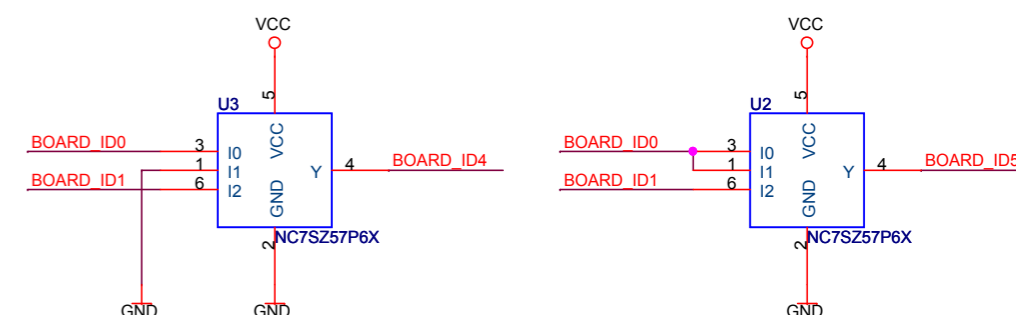
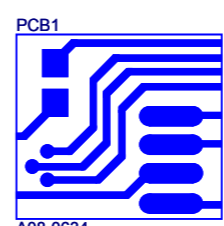
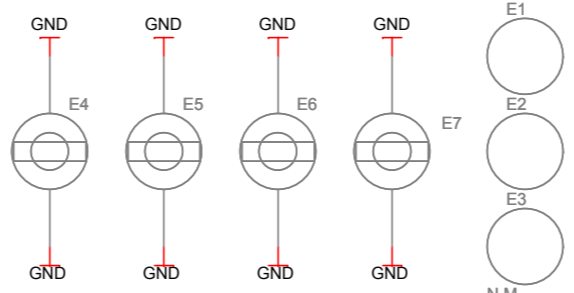
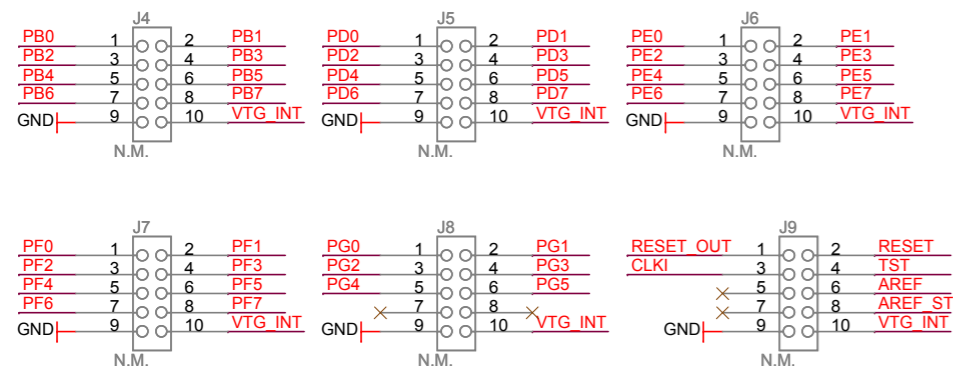


Remove jumper to do current measurements between pins 1 and 2



Board-id: 0x19
BOARD_ID4 = /(A+B) = not(BOARD_ID0 or BOARD_ID1)
BOARD_ID5 = /(A XOR B) = not(BOARD_ID0 xor BOARD_ID1)

Use signal names in silk print for each pin



| | | |
|--|------------------------|--------|
| ATMEL Norway AS Vestre Rosten 79 N-7075 TILLER Norway | | |
| Title: STK600-ATMEGA128RFA1 | | |
| Size: A3 | Document Number: <Doc> | Rev: 1 |
| Date: Wednesday, May 13, 2009 | Sheet: 1 of 1 | |